

1 2 3 4 5 6 7 8

A

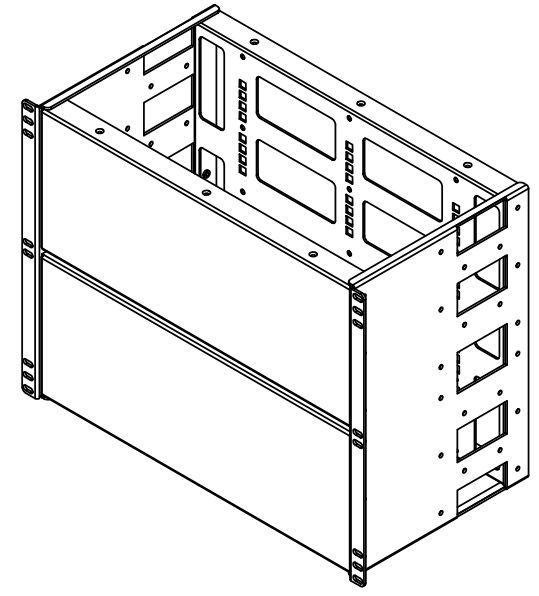
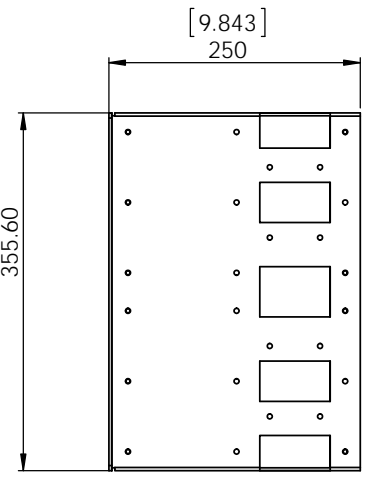
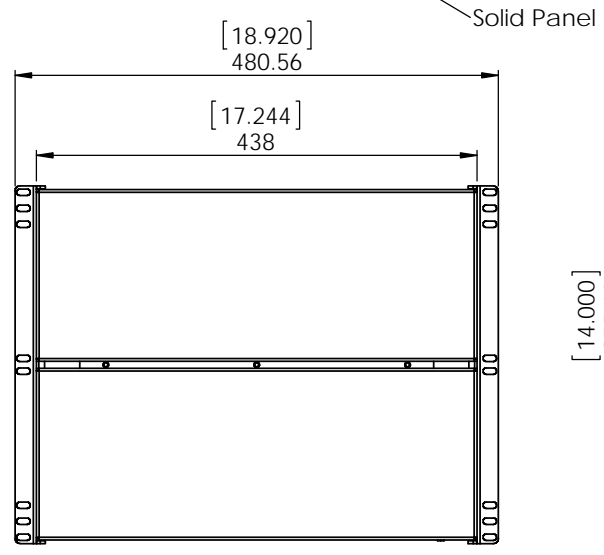
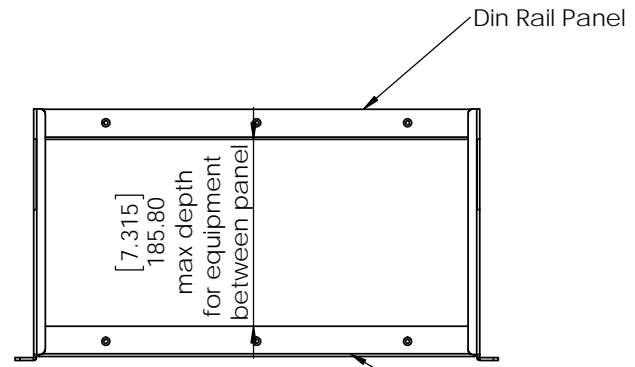
B

C

D

E

F



Note:
 1. No sharp edges.
 2. RoHS: Manufacturer must ensure that all components used must comply with RoHS Regulation.

Industrial Automation & Enclosures
 A leading developer of industrial rackmount products
 TEL:(516)997-5050 FAX:(516)997-5784
 ©2016 IAE Inc /www.iaenclosures.com

PROJECT NO.	IRP10825DS	DRAWN		MATERIAL	12 Ear / 14 Panel Gauge	UNSPECIFIED TOLERANCES: ±0.15
MODEL	67838	APPV'D		FINISH	e-Coat Black	
PART NO.	67838	DATE	5/11/2016	SCALE	1:10	SHEET 1 OF 1
PART NAME	8U Dual Solid and Din	REVISION	V 1.0	PROJECTION	Third Angle	UNIT:mm

CONFIDENTIAL DOCUMENT DO NOT COPY